



KALAMAZOO COUNTY GOVERNMENT

In the Pursuit of Extraordinary Governance...

**NEWS RELEASE
FOR IMMEDIATE RELEASE**
January 10, 2019

Matt Johnson, Public Information Officer
pio@kalcountry.com
269-373-5270

January 10, 2019: Weekly Update on Kalamazoo County Water Quality

KALAMAZOO, MI — A weekly news release will be sent on Thursdays at 4:00 p.m. with the latest information surrounding all water quality related activities occurring within Kalamazoo County. Residents can also follow www.facebook.com/KalamazooCountyHCS/ or visit www.kalcountry.com/hcs/pfasresponse.php.

Parchment/Cooper Township:

The Michigan Department of Environmental Quality (MDEQ) continues to oversee the Hydrogeologic Investigation being done by Georgia Pacific and Tetra Tech. MDEQ and Tetra Tech have completed collecting samples for the first set of monitor wells installed. The installation of the remaining proposed monitor wells resumed January 7 with at least 12 more monitor wells scheduled to be installed. Sampling results will be provided through this press release as they come in.

The Hydrogeologic Investigation has begun phase two which includes a delineation of the affected area as well as potentially pinpointing other sources of contamination.

On Monday, January 7, Kalamazoo County Health & Community Services Environmental Health Unit sent a letter to all residents who have received a PFAS filter to date. The letter states that free replacement filter cartridges can be obtained at the Environmental Health office located at 311 East Alcott Street, 8:00 am to 5:00 pm, Monday through Friday. The filter replacement cartridges are designed to be simply and easily replaced, without the need of a plumber. For the convenience of the residents there are instructions attached with the letter and this press release that detail and depict how to replace the cartridge. If any questions arise in this process, please contact the Environmental Health Office at 269-373-5210.

On Nov. 27, representatives from the Michigan Department of Health and Human Services and Kalamazoo County Health & Community Services began a door-to-door outreach effort to 320 home owners within The City of Parchment with known or possible lead service lines. Information was also left with the owner regarding lead testing opportunities, cleaning home faucet aerators that can trap lead particulates, information to reduce lead exposures and healthy eating tips. For those residents unable to be contacted by letter or door-to-door efforts, a door hanger was left behind with instructions to contact the City of Kalamazoo for lead water testing and a lead filter.

HEALTH AND COMMUNITY SERVICES DEPARTMENT

Parchment Water Hotline: 269.373.5346

www.facebook.com/KalamazooCountyHCS/ | www.kalcountry.com/hcs

Residents can call the City of Parchment at 269-349-3785 or the City of Kalamazoo at 269-337-8550 to have their water tested for lead and to receive a filter. For questions about installing the filter, residents should call 269-337-8550.

Richland

The Michigan Department of Environmental Quality (MDEQ) resumed field work for the Remedial Investigation in Richland on January 7. MDEQ has expanded the residential water well program area to include DE Ave starting at 35th St and expanding a mile east. To date 18 of the residential wells along DE Ave have been sampled and results are expected back in mid- or end-January. Michigan Department of Health and Human Services (MDHHS) and Kalamazoo County Health & Community Services will be going one-on-one with those residents to explain the results. Out of an abundance of caution all residents in the expanded residential water well program area have been offered PFAS filters. To date 18 such filters have been distributed.

On Monday, January 7, Kalamazoo County Health & Community Services Environmental Health Unit sent a letter to all residents who have received a PFAS filter to date. The letter states that free replacement filter cartridges can be obtained at the Environmental Health office located at 311 East Alcott Street, 8:00 am to 5:00 pm, Monday through Friday. The filter replacement cartridges are designed to be simply and easily replaced, without the need of a plumber. For the convenience of the residents there are instructions attached with the letter and this press release that detail and depict how to replace the cartridge. If any questions arise in this process, please contact the Environmental Health Office at 269-373-5210.

###

Kalamazoo County Government
Health & Community Services Department

 [Like Kalamazoo County Health & Community Services](#)  Follow us [@KzooHealth](#)



Model AQ-5300+R
Replacement Cartridge Instructions
 for use with AQ-5300+

Do not use with water that is microbiologically unsafe or of unknown quality without adequate disinfection before or after the system.



System tested and certified by NSF International against NSF/ANSI Standard 42, 53 & 401 and conforms to NSF protocol P473 for reduction of claims specified on the Performance Data Sheet and at nsf.org.

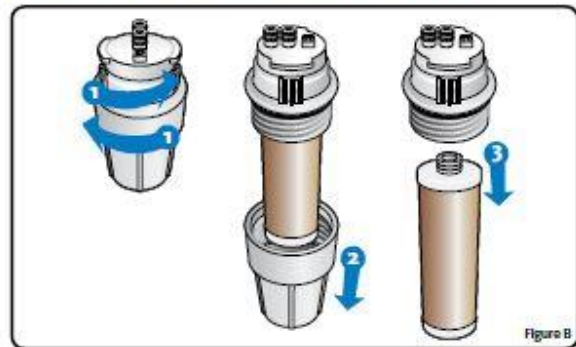
- Conforms to NSF/ANSI Standards 42, 53 & 401 and P473 protocol for substances listed on the performance data sheet. See performance data sheet for individual contaminants and reduction performance: Aguasana.com/performance.
- Systems certified of cyst reduction may be used on disinfected waters that may contain filterable cysts.
- Rated capacity: 800 gallons (3,028 liters)

Aguasana, Inc.

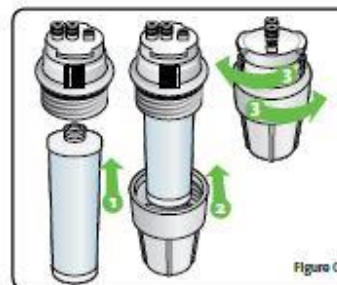
690 Midway Road - Haltom City, Texas 76117 USA - 866.662.6885 - aquasana.com

AQ5300+R_0116_A13_011011

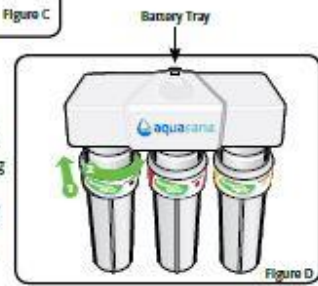
1. Shut off the cold water valve under the sink. Release the pressure from the system by turning on the filtration system faucet. Once there is no longer any water coming from the filtration system faucet, you will be ready to change the filters.
2. Unpack & unwrap the replacement filter cartridges. Each is color coded to match the circle indicator on each cartridge sump.
3. Remove each cartridge sump from the filtration system by rotating the sump towards the left side & pull down to detach. (Fig. A)
4. Hold the cartridge sump over the sink, separate the two pieces of the sump by twisting the bottom portion of the sump away from the top, as shown. Pour any excess water down the drain. Pull down on each cartridge to disconnect the filter cartridge from the top half of the sump. (Fig. B)



5. Insert & connect the new filter cartridge to the top half of the sump then reattach the bottom of the sump to the top half by turning & tightening clockwise. (Fig. C)



6. Reattach sump to the bottom of the top housing by making sure all connection points are aligned, pushing the top of the sump up & into the bottom of the top housing & turning the sump towards the right. Ensure that the sump is fully attached and locked in. Black on left, Red in the middle, yellow on right. (Fig. D)



7. Open battery door and remove old battery. Place new battery in, positive side facing to the back. When inserted properly, your system will beep (5) times and blink red. (Fig. E) **NOTE:** Once the battery is removed and replaced, it will reset the information in your *aquasana* app.
8. Once all filter cartridges have been changed and sumps are securely attached to the top housing, slowly turn the cold water valve back on. Turn off the filtration system faucet & inspect the filtration system for leaks.
9. Allow the filtered water to run 20 minutes before drinking.

